

DESCRIPTION:

Closed front with cover, round/elongated, molded wood, multi-coat enamel finish toilet seat. Features two color-matched bumpers, color-matched Top-Tite® hinges with non-corroding, top-tightening Hex-Tite™ bolts and wing nuts.

SPECIFICATIONS:

Size: Round / Elongated

Material: Molded Wood

Style: Closed Front with Cover

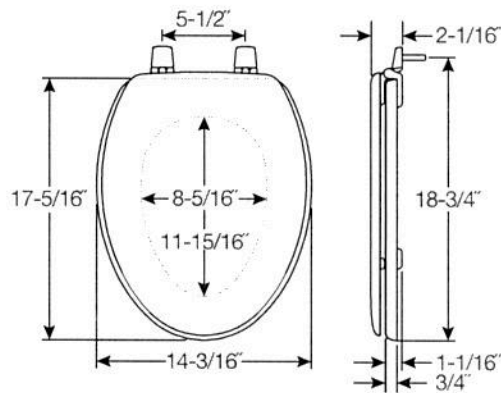
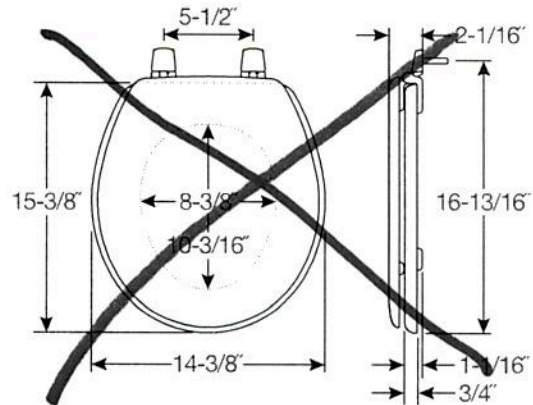
Ring Bumpers: Two

Hinges: Plastic

Hardware: Non-Corroding Hex-Tite™ Bolts and Wing Nuts

FEATURES:

- **TOP-TITE® Hinges**
Seat installs easily from above the bowl



MODELS	DESCRIPTION	MASTER PACK	WEIGHT (LBS)	CUBE (FT)	COLOR	INDIVIDUAL UPC	MASTER UPC
XM30TM	Round CFWC Molded Wood	6	32	2.07	White	0 73088 15250 3	100 73088 15250 0
					Biscuit	0 73088 15451 4	100 73088 15451 1
EM30TM	Elongated CFWC Molded Wood	6	35	2.40	White	0 73088 15249 7	100 73088 15249 4
					Biscuit	0 73088 15452 1	100 73088 15452 8

TERMS:

This toilet seat is for select distribution ONLY and is to be used strategically. It is not listed in any price schedule. Please contact your Bemis and/or Church Regional Sales Manager if you have any questions.

- Order in Master Pack Quantities ONLY - No Broken Cartons.
- All other standard terms apply (see back of Bemis and Church Price Schedule).
- Pricing subject to change without notice.



Proudly Made in the USA



Eco-Friendly